

EVALUATION KIT
AVAILABLE

MAXIM

Low-Cost Precision Sensor Signal Conditioner

MAX1452

General Description

The MAX1452 is a highly integrated analog-sensor signal processor optimized for industrial and process control applications utilizing resistive element sensors. The MAX1452 provides amplification, calibration, and temperature compensation that enables an overall performance approaching the inherent repeatability of the sensor. The fully analog signal path introduces no quantization noise in the output signal while enabling digitally controlled trimming with the integrated 16-bit DACs. Offset and span are calibrated using 16-bit DACs, allowing sensor products to be truly interchangeable.

The MAX1452 architecture includes a programmable sensor excitation, a 16-step programmable-gain amplifier (PGA), a 768-byte (6144 bits) internal EEPROM, four 16-bit DACs, an uncommitted op amp, and an on-chip temperature sensor. In addition to offset and span compensation. The MAX1452 provides a unique temperature compensation strategy for offset TC and FSOTC that was developed to provide a remarkable degree of flexibility while minimizing testing costs.

The MAX1452 is packaged for the commercial, industrial, and automotive temperature ranges in 16-pin SSOP packages.

Customization

Maxim can customize the MAX1452 for high-volume dedicated applications. Using our dedicated cell library of more than 2000 sensor-specific functional blocks, Maxim can quickly provide a modified MAX1452 solution. Contact Maxim for further information.

Applications

Pressure Sensors
Transducers and Transmitters
Strain Gauges
Pressure Calibrators and Controllers
Resistive Elements Sensors
Accelerometers
Humidity Sensors

Outputs Supported

4–20mA
0 to +5V (Rail-to-Rail®)
+0.5V to +4.5V Ratiometric
+2.5V to ±2.5V

Rail-to-Rail is a trademark of Nippon Motorola Ltd.

Secure-Lock is a trademark of Maxim Integrated Products.

Features

- ◆ Provides Amplification, Calibration, and Temperature Compensation
- ◆ Accommodates Sensor Output Sensitivities from 1mV/V to 40mV/V
- ◆ Single Pin Digital Programming
- ◆ No External Trim Components Required
- ◆ 16-Bit Offset and Span Calibration Resolution
- ◆ Fully Analog Signal Path
- ◆ On-Chip Lookup Table Supports Multipoint Calibration Temperature Correction
- ◆ Supports Both Current and Voltage Bridge Excitation
- ◆ Fast 3.2kHz Frequency Response
- ◆ On-Chip Uncommitted Op Amp
- ◆ Secure-Lock™ Prevents Data Corruption
- ◆ Low 2mA Current Consumption

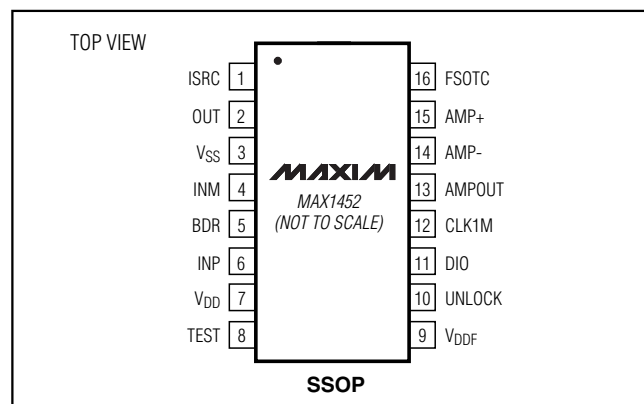
Ordering Information

| PART | TEMP. RANGE | PIN-PACKAGE |
|------------|-----------------|-------------|
| MAX1452CAE | 0°C to +70°C | 16 SSOP |
| MAX1452EAE | -40°C to +85°C | 16 SSOP |
| MAX1452AAE | -40°C to +125°C | 16 SSOP |
| MAX1452C/D | 0°C to +70°C | Dice* |

*Dice are tested at $T_A = +25^\circ\text{C}$, DC parameters only.

A detailed block diagram appears at the end of data sheet.

Pin Configuration



MAXIM

Maxim Integrated Products 1

For pricing, delivery, and ordering information, please contact Maxim/Dallas Direct! at 1-888-629-4642, or visit Maxim's website at www.maxim-ic.com.

Low-Cost Precision Sensor Signal Conditioner

ABSOLUTE MAXIMUM RATINGS

Supply Voltage, V_{DD} to V_{SS}-0.3V, +6V
 All Other Pins($V_{SS} - 0.3V$) to ($V_{DD} + 0.3V$)
 Short-Circuit Duration, FSOTC, OUT, BDR,
 AMPOUTContinuous
 Continuous Power Dissipation ($T_A = +70^\circ\text{C}$)
 16-Pin SSOP (derate 8.00mW/ $^\circ\text{C}$ above $+70^\circ\text{C}$)640mW

Operating Temperature:
 MAX1452CAE/MAX1452C/D 0°C to $+70^\circ\text{C}$
 MAX1452EAE -40°C to $+85^\circ\text{C}$
 MAX1452AAE -40°C to $+125^\circ\text{C}$
 Junction Temperature $+150^\circ\text{C}$
 Storage Temperature..... -65°C to $+150^\circ\text{C}$
 Lead Temperature (soldering, 10s) $+300^\circ\text{C}$

Stresses beyond those listed under "Absolute Maximum Ratings" may cause permanent damage to the device. These are stress ratings only, and functional operation of the device at these or any other conditions beyond those indicated in the operational sections of the specifications is not implied. Exposure to absolute maximum rating conditions for extended periods may affect device reliability.

ELECTRICAL CHARACTERISTICS

($V_{DD} = +5V$, $V_{SS} = 0$, $T_A = +25^\circ\text{C}$, unless otherwise noted.)

| PARAMETER | SYMBOL | CONDITIONS | MIN | TYP | MAX | UNITS |
|--|--------------------------------------|---|------|-----------|------|------------------------------|
| GENERAL CHARACTERISTICS | | | | | | |
| Supply Voltage | V_{DD} | | 4.5 | 5.0 | 5.5 | V |
| Supply Current | I_{DD} | (Note 1) | | 2.0 | 2.5 | mA |
| Oscillator Frequency | f_{OSC} | | 0.85 | 1 | 1.15 | MHz |
| ANALOG INPUT | | | | | | |
| Input Impedance | R_{IN} | | | 1 | | $M\Omega$ |
| Input Referred Offset Tempco | | (Notes 2, 3) | | ± 1 | | $\mu\text{V}/^\circ\text{C}$ |
| Input Referred Adjustable Offset Range | | Offset TC = 0 at minimum gain (Note 4) | | ± 150 | | mV |
| Amplifier Gain Nonlinearity | | Percent of +4V span, $V_{OUT} = +0.5V$ to 4.5V | | 0.01 | | % |
| Common-Mode Rejection Ratio | CMRR | Specified for common-mode voltages between V_{SS} and V_{DD} (Note 2) | | 90 | | dB |
| Input Referred Adjustable FSO Range | | (Note 5) | | 1-40 | | mV/V |
| ANALOG OUTPUT | | | | | | |
| Differential Signal-Gain Range | | Selectable in 16 steps | | 39-240 | | V/V |
| Differential Signal Gain | | Configuration [5:2] 0000bin | 34 | 39 | 46 | V/V |
| | | Configuration [5:2] 0001bin | 47 | 52 | 59 | |
| | | Configuration [5:2] 0010bin | 58 | 65 | 74 | |
| | | Configuration [5:2] 0100bin | 82 | 91 | 102 | |
| | | Configuration [5:2] 1000bin | 133 | 143 | 157 | |
| Maximum Output Voltage Swing | | No load from each supply | | 0.02 | | V |
| Output Voltage Low | | $I_{OUT} = 1\text{mA}$ sinking, $T_A = T_{MIN}$ to T_{MAX} | | 0.100 | 0.20 | V |
| Output Voltage High | | $I_{OUT} = 1\text{mA}$ sourcing, $T_A = T_{MIN}$ to T_{MAX} | 4.75 | 4.87 | | V |
| Output Impedance at DC | | | | 0.1 | | Ω |
| Output Offset Ratio | $\Delta V_{OUT}/\Delta\text{Offset}$ | | 0.90 | 1.05 | 1.20 | V/V |

Low-Cost Precision Sensor Signal Conditioner

MAX1452

ELECTRICAL CHARACTERISTICS (continued)

($V_{DD} = +5V$, $V_{SS} = 0$, $T_A = +25^\circ C$, unless otherwise noted.)

| PARAMETER | SYMBOL | CONDITIONS | MIN | TYP | MAX | UNITS |
|---|--|---|----------------|------|----------------|--------------------|
| Output Offset TC Ratio | $\frac{\Delta V_{OUT}}{\Delta \text{Offset TC}}$ | | 0.9 | 1 | 1.2 | V/V |
| Step Response and IC (63% Final Value) | | | | 150 | | μs |
| Maximum Capacitive Load | | | | 1 | | μF |
| Output Noise | | DC to 1kHz (gain = minimum, source impedance = $5k\Omega$ V_{DDF} filter) | | 0.5 | | mVRMS |
| BRIDGE DRIVE | | | | | | |
| Bridge Current | I_{BDR} | $R_L = 1.7k\Omega$ | 0.1 | 0.5 | 2 | mA |
| Current Mirror Ratio | AA | $R_{ISOURCE} = \text{internal}$ | 10 | 12 | 14 | A/A |
| VSPAN Range (Span Code) | | $T_A = T_{MIN}$ to T_{MAX} | 4000 | | C000 | hex |
| DIGITAL-TO-ANALOG CONVERTERS | | | | | | |
| DAC Resolution | | | | 16 | | bits |
| ODAC Bit Weight | $\frac{\Delta V_{OUT}}{\Delta \text{Code}}$ | DAC reference = $V_{DD} = +5.0V$ | | 76 | | $\mu V/\text{bit}$ |
| OTCDAC Bit Weight | $\frac{\Delta V_{OUT}}{\Delta \text{Code}}$ | DAC reference = $V_{BDR} = +2.5V$ | | 38 | | $\mu V/\text{bit}$ |
| FSODAC Bit Weight | $\frac{\Delta V_{OUT}}{\Delta \text{Code}}$ | DAC reference = $V_{DD} = +5.0V$ | | 76 | | $\mu V/\text{bit}$ |
| FSOTCDAC Bit Weight | $\frac{\Delta V_{OUT}}{\Delta \text{Code}}$ | DAC reference = $V_{BDR} = +2.5V$ | | 38 | | $\mu V/\text{bit}$ |
| COARSE OFFSET DAC | | | | | | |
| IRODAC Resolution | | Including sign | | 4 | | bits |
| IRODAC Bit Weight | $\frac{\Delta V_{OUT}}{\Delta \text{Code}}$ | Input referred, DAC reference = $V_{DD} = +5.0V$ (Note 6) | | 9 | | mV/bit |
| FSOTC BUFFER | | | | | | |
| Minimum Output Voltage Swing | | No load | | | $V_{SS} + 0.1$ | V |
| Maximum Output Voltage Swing | | No load | $V_{DD} - 1.0$ | | | V |
| Current Drive | | $V_{FSOTC} = +2.5V$ | -40 | | +40 | μA |
| INTERNAL RESISTORS | | | | | | |
| Current-Source Reference Resistor | R_{ISRC} | | | 75 | | $k\Omega$ |
| Current-Source Reference Resistor Temperature Coefficient | ΔR_{ISRC} | | | 1300 | | ppm/ $^\circ C$ |
| FSOTC Resistor | R_{FTC} | | | 75 | | $k\Omega$ |
| FSOTC Resistor Temperature Coefficient | ΔR_{FTC} | | | 1300 | | ppm/ $^\circ C$ |

Low-Cost Precision Sensor Signal Conditioner

ELECTRICAL CHARACTERISTICS (continued)

($V_{DD} = +5V$, $V_{SS} = 0$, $T_A = +25^\circ C$, unless otherwise noted.)

| PARAMETER | SYMBOL | CONDITIONS | MIN | TYP | MAX | UNITS |
|---|--------|--|-----------------|-----------|-----------------|----------------|
| TEMPERATURE-TO-DIGITAL CONVERTER | | | | | | |
| Temperature ADC Resolution | | | | 8 | | bits |
| Offset | | | | ± 3 | | LSB |
| Gain | | | | 1.45 | | $^\circ C/bit$ |
| Nonlinearity | | | | ± 0.5 | | LSB |
| Lowest Digital Output | | | | 00 | | hex |
| Highest Digital Output | | | | AF | | hex |
| UNCOMMITTED OP AMP | | | | | | |
| Open Loop Gain | | $R_L = 100k\Omega$ | | 90 | | dB |
| Input Common-Mode Range | | | V_{SS} | | V_{DD} | V |
| Output Swing | | No load, $T_A = T_{MIN}$ to T_{MAX} | $V_{SS} + 0.02$ | | $V_{DD} - 0.02$ | V |
| Output Voltage High | | 1mA source, $T_A = T_{MIN}$ to T_{MAX} | 4.85 | 4.90 | | V |
| Output Voltage Low | | 1mA sink, $T_A = T_{MIN}$ to T_{MAX} | | 0.05 | 0.15 | V |
| Offset | | $V_{IN+} = +2.5V$, unity gain buffer | -20 | | +20 | mV |
| Unity Gain Bandwidth | | | | 2 | | MHz |
| EEPROM | | | | | | |
| Maximum Erase/Write Cycles | | (Note 7) | | 10k | | Cycles |
| Minimum Erase Time | | (Note 8) | | 6 | | ms |

Note 1: Excludes sensor or load current.

Note 2: All electronics temperature errors are compensated together with sensors errors.

Note 3: The sensor and the MAX1452 must be at the same temperature during calibration and use.

Note 4: This is the maximum allowable sensor offset.

Note 5: This is the sensor's sensitivity normalized to its drive voltage, assuming a desired full span output of +4V and a bridge voltage of +2.5V.

Note 6: Bit weight is ratiometric to V_{DD} .

Note 7: Programming of the EEPROM at room temperature is recommended.

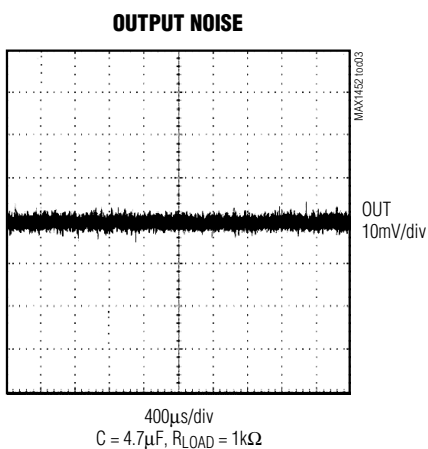
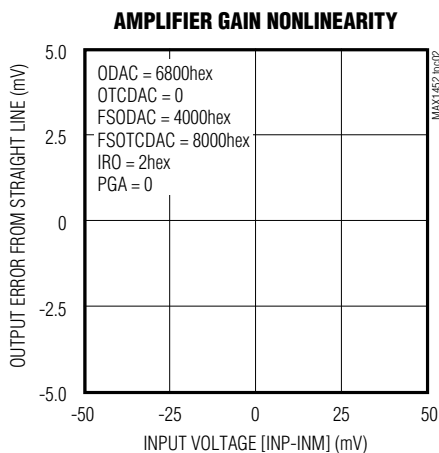
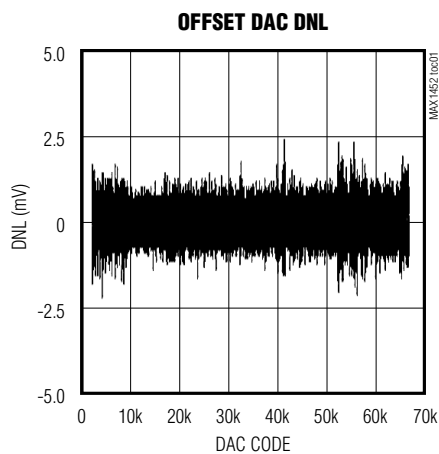
Note 8: Allow a minimum of 6ms elapsed time before sending any command.

Low-Cost Precision Sensor Signal Conditioner

Typical Operating Characteristics

($V_{DD} = +5V$, $T_A = +25^\circ C$, unless otherwise noted.)

MAX1452



Pin Description

| PIN | NAME | FUNCTION |
|-----|-----------------|--|
| 1 | ISRC | Bridge Drive Current Mode Setting |
| 2 | OUT | High ESD and Scan Path Output Signal. May need a 0.1 μ F capacitor, in noisy environments. OUT may be parallel connected to DIO. |
| 3 | V _{SS} | Negative Supply Voltage |
| 4 | INM | Bridge Negative Input. Can be swapped to INP by configuration register. |
| 5 | BDR | Bridge Drive |
| 6 | INP | Bridge Positive Input. Can be swapped to INM by configuration register. |
| 7 | V _{DD} | Positive Supply Voltage. Connect a 0.1 μ F capacitor from V _{DD} to V _{SS} . |
| 8 | TEST | Internally Connected. Connect to V _{SS} . |

Low-Cost Precision Sensor Signal Conditioner

Pin Description (continued)

| PIN | NAME | FUNCTION |
|-----|------------------|--|
| 9 | V _{DDF} | Positive Supply Voltage for EEPROM. Connect a 0.1μF capacitor from V _{DDF} to V _{SS} . Connect V _{DDF} to V _{DD} or for improved noise performance connect a 1kΩ resistor to V _{DD} . |
| 10 | UNLOCK | Secure-Lock Disable. Allows communication to the device. |
| 11 | DIO | Digital Input Output. DIO allows communication with the device. |
| 12 | CLK1M | 1MHz Clock Output. The clock can be shut off by a configuration bit. |
| 13 | AMPOUT | Uncommitted Amplifier Output |
| 14 | AMP- | Uncommitted Amplifier Negative Input |
| 15 | AMP+ | Uncommitted Amplifier Positive Input |
| 16 | FSOTC | Full Span TC Buffered Output |

Detailed Description

The MAX1452 provides amplification, calibration, and temperature compensation to enable an overall performance approaching the inherent repeatability of the sensor. The fully analog signal-path introduces no quantization noise in the output signal while enabling digitally controlled trimming with the integrated 16-bit DACs. Offset and span can be calibrated to within ±0.02% of span.

The MAX1452 architecture includes a programmable sensor excitation, a 16-step programmable-gain amplifier (PGA), a 768-byte (6144 bits) internal EEPROM, four 16-bit DACs, an uncommitted op amp, and an on-chip temperature sensor. The MAX1452 also provides a unique temperature compensation strategy for offset TC and FSOTC that was developed to provide a remarkable degree of flexibility while minimizing testing costs.

The customer can select from one to 114 temperature points to compensate their sensor. This allows the latitude to compensate a sensor with a simple first order linear correction or match an unusual temperature curve. Programming up to 114 independent 16-bit EEPROM locations corrects performance in 1.5°C temperature increments over a range of -40°C to +125°C. For sensors that exhibit a characteristic temperature performance, a select number of calibration points can be used with a number of preset values that define the temperature curve. In cases where the sensor is at a different temperature than the ASIC, the MAX1452 uses the sensor bridge itself to provide additional temperature correction.

The single pin, serial Digital Input-Output (DIO) communication architecture and the ability to timeshare its activity with the sensor's output signal enables output sensing and calibration programming on a single line by parallel connecting OUT and DIO. The MAX1452 provides a Secure-Lock feature that allows the customer to prevent modification of sensor coefficients and the 52-byte user definable EEPROM data after the sensor has been calibrated. The Secure-Lock feature also provides a hardware override to enable factory rework and recalibration by assertion of logic high on the UNLOCK pin.

The MAX1452 allows complete calibration and sensor verification to be performed at a single test station. Once calibration coefficients have been stored in the ASIC, the customer can choose to retest in order to verify performance as part of a regular QA audit or to generate final test data on individual sensors.

The MAX1452's low current consumption and the integrated uncommitted op amp enables a 4–20mA output signal format in a sensor that is completely powered from a 2-wire current loop. Frequency response can be user-adjusted to values lower than the 3.2kHz bandwidth by using the uncommitted op amp and simple passive components.

The MAX1452 (Figure 1) provides an analog amplification path for the sensor signal. It also uses an analog architecture for first-order temperature correction. A digitally controlled analog path is then used for nonlinear temperature correction. Calibration and correction is achieved by varying the offset and gain of a programmable-gain-amplifier (PGA) and by varying the sensor bridge excitation current or voltage. The PGA

Low-Cost Precision Sensor Signal Conditioner

MAX1452

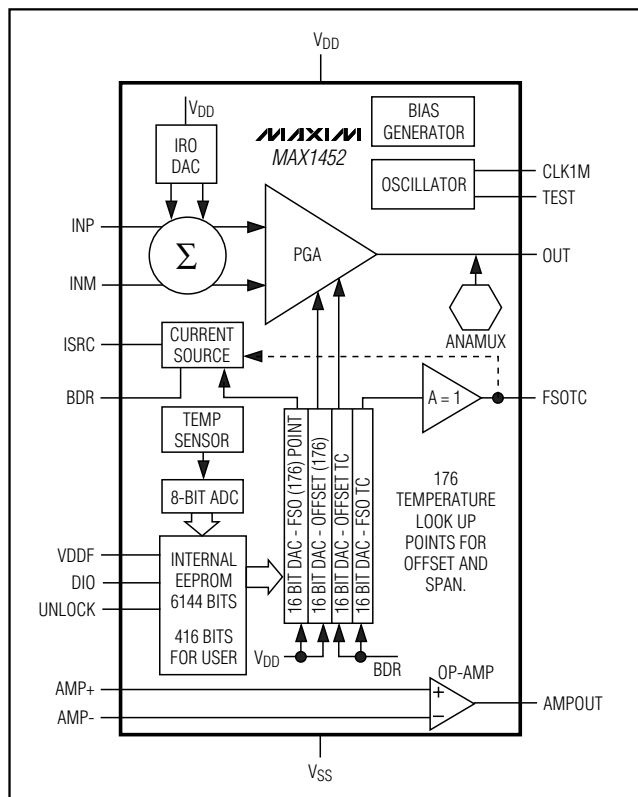


Figure 1. Functional Diagram

utilizes a switched capacitor CMOS technology, with an input referred offset trimming range of more than $\pm 150\text{mV}$ with an approximate $3\mu\text{V}$ resolution (16 bits). The PGA provides gain values from 39V/V to 240V/V in 16 steps.

The MAX1452 uses four 16-bit DACs with calibration coefficients stored by the user in an internal 768×8 EEPROM (6144 bits). This memory contains the following information, as 16-bit wide words:

- Configuration Register
- Offset Calibration Coefficient Table
- Offset Temperature Coefficient Register
- FSO (Full-Span Output) Calibration Table
- FSO Temperature Error Correction Coefficient Register
- 52 bytes (416 bits) uncommitted for customer programming of manufacturing data (e.g., serial number and date)

Offset Correction

Initial offset correction is accomplished at the input stage of the signal gain amplifiers by a coarse offset setting. Final offset correction occurs through the use of a temperature indexed lookup table with 176 16-bit entries. The on-chip temperature sensor provides a unique 16-bit offset trim value from the table with an indexing resolution of approximately 1.5°C from -40°C to $+125^\circ\text{C}$. Every millisecond, the on-chip temperature sensor provides indexing into the offset lookup table in EEPROM and the resulting value transferred to the offset DAC register. The resulting voltage is fed into a summing junction at the PGA output, compensating the sensor offset with a resolution of $\pm 76\mu\text{V}$ ($\pm 0.0019\%$ FSO). If the offset TC DAC is set to zero then the maximum temperature error is equivalent to one degree of temperature drift of the sensor, given the Offset DAC has corrected the sensor at every 1.5°C . The temperature indexing boundaries are outside of the specified *Absolute Maximum Ratings*. The minimum indexing value is 00hex corresponding to approximately -69°C . All temperatures below this value will output the coefficient value at index 00hex. The maximum indexing value is AFhex, which is the highest lookup table entry. All temperatures higher than approximately 184°C will output the highest lookup table index value. No indexing wrap-around errors are produced.

FSO Correction

Two functional blocks control the FSO gain calibration. First, a coarse gain is set by digitally selecting the gain of the PGA. Second, FSO DAC sets the sensor bridge current or voltage with the digital input obtained from a temperature-indexed reference to the FSO lookup table in EEPROM. FSO correction occurs through the use of a temperature indexed lookup table with 176 16-bit entries. The on-chip temperature sensor provides a unique FSO trim from the table with an indexing resolution approaching one 16-bit value at every 1.5°C from -40°C to $+125^\circ\text{C}$. The temperature indexing boundaries are outside of the specified *Absolute Maximum Ratings*. The minimum indexing value is 00hex corresponding to approximately -69°C . All temperatures below this value will output the coefficient value at index 00hex. The maximum indexing value is AFhex, which is the highest lookup table entry. All temperatures higher than approximately 184°C will output the highest lookup table index value. No indexing wrap-around errors are produced.

Linear and Nonlinear Temperature Compensation

Writing 16-bit calibration coefficients into the offset TC and FSOTC registers compensates first-order tempera-

Low-Cost Precision Sensor Signal Conditioner

ture errors. The piezoresistive sensor is powered by a current source resulting in a temperature-dependent bridge voltage due to the sensor's temperature resistance coefficient (TCR). The reference inputs of the offset TC DAC and FSOTC DAC are connected to the bridge voltage. The DAC output voltages will track the bridge voltage as it varies with temperature, and by varying the offset TC and FSOTC digital code a portion of the bridge voltage, which is temperature dependent, is used to compensate the first order temperature errors.

The internal feedback resistors (R_{ISRC} and R_{STC}) for FSO temperature compensation are optimized to $75k\Omega$ for silicon piezoresistive sensors. However, since the required feedback resistor values are sensor dependent, external resistors may also be used. The internal resistors selection bit in the configuration register selects between internal and external feedback resistors.

To calculate the required offset TC and FSOTC compensation coefficients, two test-temperatures are needed. After taking at least two measurements at each temperature, calibration software (in a host computer) calculates the correction coefficients and writes them to the internal EEPROM.

With coefficients ranging from 0000hex to FFFFhex and a +5V reference, each DAC has a resolution of $76\mu V$. Two of the DACs (offset TC and FSOTC) utilize the sensor bridge voltage as a reference. Since the sensor bridge voltage is approximately set to +2.5V the FSOTC and offset TC exhibit a step size of less than $38\mu V$.

For high accuracy applications (errors less than 0.25%), the first-order offset and FSOTC should be compensated with the offset TC and FSOTC DACs, and the residual higher order terms with the lookup table. The offset and FSO compensation DACs provide unique compensation values for approximately $1.5^{\circ}C$ of temperature change as the temperature indexes the address pointer through the coefficient lookup table. Changing the offset does not effect the FSO, however changing the FSO will affect the offset due to nature of the bridge. The temperature is measured on both the MAX1452 die and at the bridge sensor. It is recommended to compensate the first-order temperature errors using the bridge sensor temperature.

Typical Ratiometric Operating Circuit

Ratiometric output configuration provides an output that is proportional to the power supply voltage. This output can then be applied to a ratiometric ADC to produce a digital value independent of supply voltage. Ratiometricity is an important consideration for battery-operated instruments, automotive, and some industrial applications.

The MAX1452 provides a high-performance ratiometric output with a minimum number of external components (Figure 2). These external components include the following:

- One supply bypass capacitor.
- One optional output EMI suppression capacitor.
- Two optional resistors, R_{ISRC} and R_{STC} , for special sensor bridge types.

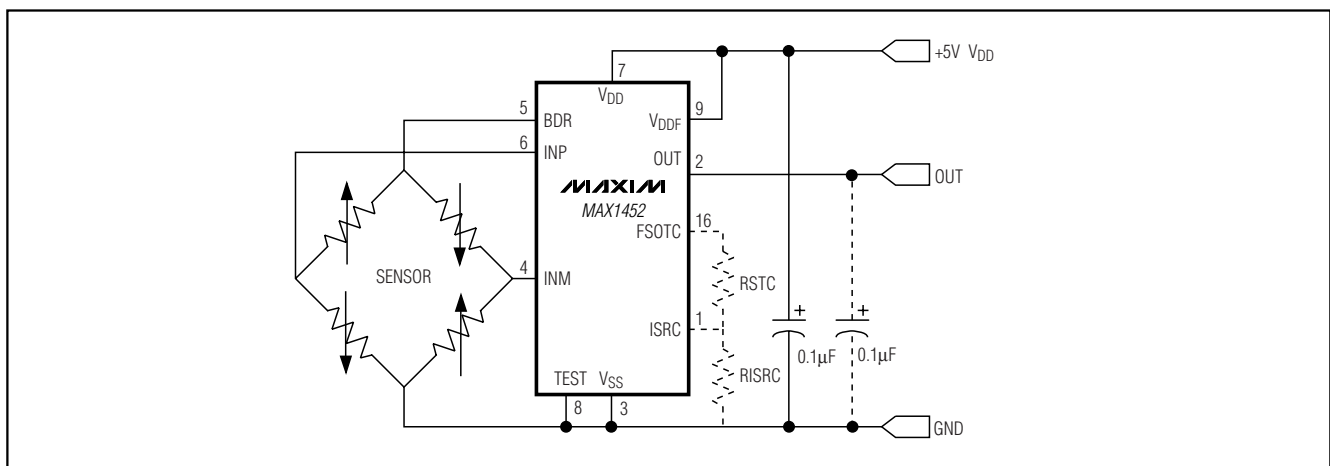


Figure 2. Basic Ratiometric Output Configuration

Low-Cost Precision Sensor Signal Conditioner

MAX1452

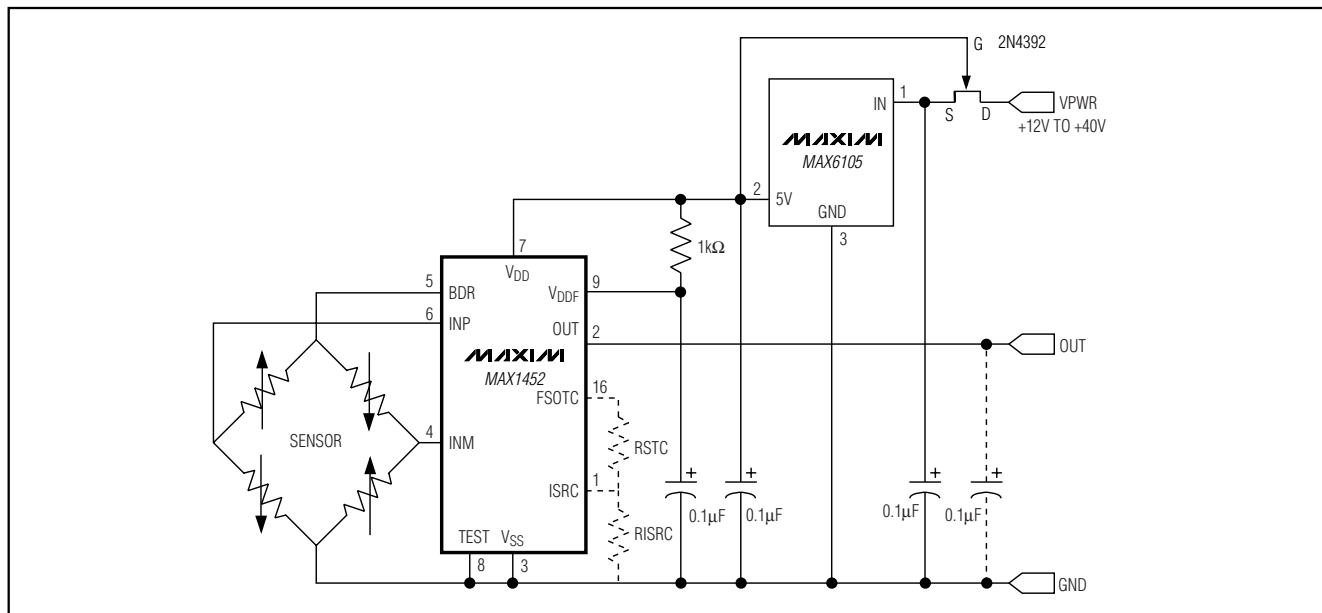


Figure 3. Basic Nonratiometric Output Configuration

Typical Nonratiometric Operating Circuit (12VDC < VPWR < 40VDC)

Nonratiometric output configuration enables the sensor power to vary over a wide range. A high performance voltage reference, such as the MAX6105, is incorporated in the circuit to provide a stable supply and reference for MAX1452 operation. A typical example is shown in Figure 3. Nonratiometric operation is valuable when wide ranges of input voltage are to be expected and the system A/D or readout device does not enable ratiometric operation.

Typical 2-Wire, Loop Powered, 4–20mA Operating Circuit

Process Control systems benefit from a 4–20mA current loop output format for noise immunity, long cable runs, and 2-wire sensor operation. The loop voltages can range from 12VDC to 40VDC and are inherently nonratiometric. The low current consumption of the MAX1452 allows it to operate from loop power with a simple 4–20mA drive circuit efficiently generated using the integrated uncommitted op amp (Figure 4).

Internal Calibration Registers (ICRs)

The MAX1452 has five 16-bit internal calibration registers that are loaded from EEPROM, or loaded from the serial digital interface.

Data can be loaded into the internal calibration registers under three different circumstances.

Normal Operation, Power-On Initialization Sequence

- The MAX1452 has been calibrated, the Secure-Lock byte is set (CL[7:0] = FFhex) and UNLOCK is low.
- Power is applied to the device.
- The power-on reset functions have completed.
- Registers CONFIG, OTCDAC, and FSOTCDAC are refreshed from EEPROM.
- Registers ODAC, and FSODAC are refreshed from the temperature indexed EEPROM locations.

Normal Operation, Continuous Refresh

- The MAX1452 has been calibrated, the Secure-Lock byte has been set (CL[7:0] = FFhex) and UNLOCK is low.
- Power is applied to the device.
- The power-on reset functions have completed.
- The temperature index timer reaches a 1ms time period.

Low-Cost Precision Sensor Signal Conditioner

MAX1452

Table 1. EEPROM Memory Address Map

| PAGE | LOW-BYTE ADDRESS (hex) | HIGH-BYTE ADDRESS (hex) | TEMP-INDEX[7:0] (hex) | CONTENTS | |
|------|------------------------|-------------------------|-----------------------|----------------------------------|---------------|
| 0 | 000 | 001 | 00 | ODAC Lookup Table | |
| | 03E | 03F | 1F | | |
| 1 | 040 | 041 | 20 | | |
| | 07E | 07F | 3F | | |
| 2 | 080 | 081 | 40 | | |
| | 0BE | 0BF | 5F | | |
| 3 | 0C0 | 0C1 | 60 | | |
| | 0FE | 0FF | 7F | | |
| 4 | 100 | 101 | 80 | | |
| | 13E | 13F | 9F | | |
| 5 | 140 | 141 | A0 | | |
| | 15E | 15F | AF to FF | | |
| | 160 | 161 | | | Configuration |
| | 162 | 163 | | | Reserved |
| | 164 | 165 | | | OTCDAC |
| | 166 | 167 | | | Reserved |
| | 168 | 169 | | FSOTCDAC | |
| | 16A | 16B | | Control Location | |
| | 16C | 16D | | 52 General-Purpose User Bytes | |
| | 17E | 17F | | | |
| 6 | 180 | 181 | | | |
| | 19E | 19F | | | |
| | 1A0 | 1A1 | 80 | | |
| | 1BE | 1BF | 8F | | |
| 7 | 1C0 | 1C1 | 90 | | |
| | 1FE | 1FF | AF to FF | | |
| 8 | 200 | 201 | 00 | FSODAC Lookup Table | |
| | 23E | 23F | 1F | | |
| 9 | 240 | 241 | 20 | | |
| | 27E | 27F | 3F | | |
| A | 280 | 281 | 40 | | |
| | 2BE | 2BF | 5F | | |
| B | 2C0 | 2C1 | 60 | | |
| | 2FE | 2FF | 7F | | |

the serial digital interface during calibration or loaded automatically from EEPROM at power-on. In this way the device can be tested and configured during calibration and test and the appropriate compensation values stored in internal EEPROM. The device will

auto-load the registers from EEPROM and be ready for use without further configuration after each power-up. The EEPROM is configured as an 8-bit wide array so each of the 16-bit registers is stored as two 8-bit quantities. The configuration register, FSOTCDAC and OTC-

Low-Cost Precision Sensor Signal Conditioner

DAC registers are loaded from the pre-assigned locations in the EEPROM.

The ODAC and FSODAC are loaded from the EEPROM lookup tables using an index pointer that is a function of temperature. An ADC converts the integrated temperature sensor to an 8-bit value every 1ms. This digitized value is then transferred into the temp-index register.

The typical transfer function for the temp-index is as follows:

$$\text{temp-index} = 0.69 \times \text{Temperature } (^{\circ}\text{C}) + 47.58$$

where temp-index is truncated to an 8-bit integer value. Typical values for the temp-index register are given in Table 6.

Note that the EEPROM is byte wide and the registers that are loaded from EEPROM are 16 bits wide. Thus each index value points to two bytes in the EEPROM.

Maxim programs all EEPROM locations to FFhex with the exception of the oscillator frequency setting and Secure-Lock byte. OSC[2:0] is in the Configuration Register (Table 3). These bits should be maintained at the factory preset values. Programming 00hex in the Secure-Lock byte (CL[7:0] = 00hex), configures the DIO as an asynchronous serial input for calibration and test purposes.

Communication Protocol

The DIO serial interface is used for asynchronous serial data communications between the MAX1452 and a host calibration test system or computer. The MAX1452 will automatically detect the baud rate of the host computer when the host transmits the initialization sequence. Baud rates between 4800bps and 38,400bps can be detected and used regardless of the internal oscillator frequency setting. Data format is always 1 start bit, 8 data bits, 1 stop bit and no parity. Communications are only allowed when Secure-Lock is disabled (i.e., CL[7:0] = 00hex) or the UNLOCK pin is held high.

Initialization Sequence

Sending the initialization sequence shown below enables the MAX1452 to establish the baud rate that initializes the serial port. The initialization sequence is one byte transmission of 01hex, as follows.

```
11111111010000000111111111
```

The first start bit **0** initiates the baud rate synchronization sequence. The 8 data bits 01hex (LSB first) follow this and then the stop bit, which is indicated above as a **1**,

terminates the baud rate synchronization sequence. This initialization sequence on DIO should occur after a period of 1ms after stable power is applied to the device. This allows time for the power-on reset function to complete and the DIO pin to be configured by Secure-Lock or the UNLOCK pin.

Reinitialization Sequence

The MAX1452 allows for relearning the baud rate. The reinitialization sequence is one byte transmission of FFhex, as follows.

```
11111111011111111111111111
```

When a serial reinitialization sequence is received, the receive logic resets itself to its power-up state and waits for the initialization sequence. The initialization sequence must follow the reinitialization sequence in order to re-establish the baud rate.

Serial Interface Command Format

All communication commands into the MAX1452 follow a defined format utilizing an interface register set (IRS). The IRS is an 8-bit command that contains both an interface register set data (IRSD) nibble (4-bit) and an interface register set address (IRSA) nibble (4-bit). All internal calibration registers and EEPROM locations are accessed for read and write through this interface register set. The IRS byte command is structured as follows:

IRS[7:0] = IRSD[3:0], IRSA[3:0]

Where:

- IRSA[3:0] is the 4-bit interface register set address and indicates which register receives the data nibble IRSD[3:0].
- IRSA[0] is the first bit on the serial interface after the start bit.
- IRSD[3:0] is the 4-bit interface register set data.
- IRSD[0] is the fifth bit received on the serial interface after the start bit.

The IRS address decoding is shown in Table 9.

Special Command Sequences

A special command register to internal logic (CRIL[3:0]) causes execution of special command sequences within the MAX1452. These command sequences are listed as CRIL command codes as shown in Table 10.

Write Examples

A 16-bit write to any of the internal calibration registers is performed as follows:

Low-Cost Precision Sensor Signal Conditioner

MAX1452

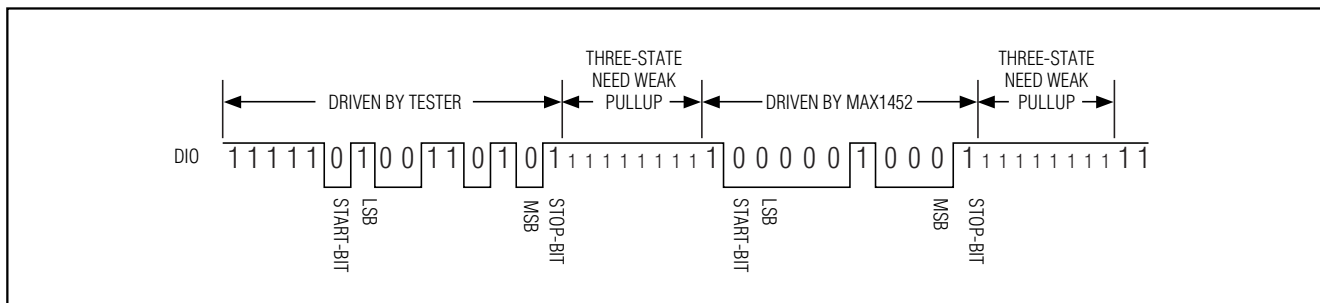


Figure 5. DIO Output Data Format

- 1) Write the 16 data bits to DHR[15:0] using four byte accesses into the interface register set.
- 2) Write the address of the target internal calibration register to ICRA[3:0].
- 3) Write the load internal calibration register (LdICR) command to CRIL[3:0].

When a LdICR command is issued to the CRIL register, the calibration register loaded depends on the address in the internal calibration register address (ICRA). Table 11 specifies which calibration register is decoded.

Erasing and Writing the EEPROM

The internal EEPROM needs to be erased (bytes set to FFhex) prior to programming the desired contents. Remember to save the 3 MSBs of byte 161hex (high-byte of the configuration register) and restore it when programming its contents to prevent modification of the trimmed oscillator frequency.

The internal EEPROM can be entirely erased with the ERASE command, or partially erased with the PageErase command (see Table 10, CRIL command). It is necessary to wait 6ms after issuing the ERASE or PageErase command.

After the EEPROM bytes have been erased (value of every byte = FFhex), the user can program its contents, following the procedure below:

- 1) Write the 8 data bits to DHR[7:0] using two byte accesses into the interface register set.
- 2) Write the address of the target internal EEPROM location to IEEA[9:0] using three byte accesses into the interface register set.
- 3) Write the EEPROM write command (EEPW) to CRIL[3:0].

Serial Digital Output

When a RdIRS command is written to CRIL[3:0], DIO is configured as a digital output and the contents of the

register designated by IRSP[3:0] are sent out as a byte framed by a start bit and a stop bit.

Once the tester finishes sending the RdIRS command, it must three-state its connection to DIO to allow the MAX1452 to drive the DIO line. The MAX1452 will three-state DIO high for 1 byte time and then drive with the start bit in the next bit period followed by the data byte and stop bit. The sequence is shown in Figure 5.

The data returned on a RdIRS command depends on the address in IRSP. Table 12 defines what is returned for the various addresses.

Multiplexed Analog Output

When a RdAlg command is written to CRIL[3:0] the analog signal designated by ALOC[3:0] is asserted on the OUT pin. The duration of the analog signal is determined by ATIM[3:0] after which the pin reverts to three-state. While the analog signal is asserted in the OUT pin, DIO is simultaneously three-stated, enabling a parallel wiring of DIO and OUT. When DIO and OUT are connected in parallel, the host computer or calibration system must three-state its connection to DIO after asserting the stop bit. **Do not load the OUT line when reading internal signals, such as BDR, FSOTC...etc.**

The analog output sequence with DIO and OUT is shown in Figure 6.

The duration of the analog signal is controlled by ATIM[3:0] as given in Table 13.

The analog signal driven onto the OUT pin is determined by the value in the ALOC register. The signals are specified in Table 14.

Test System Configuration

The MAX1452 is designed to support an automated production test system with integrated calibration and temperature compensation. Figure 7 shows the implementation concept for a low-cost test system capable of testing many transducer modules connected in par-

Low-Cost Precision Sensor Signal Conditioner

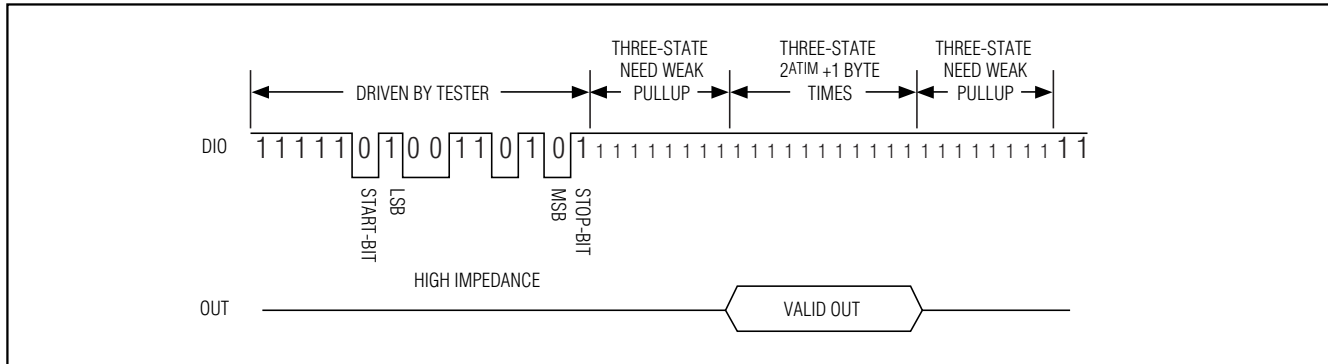


Figure 6. Analog Output Timing

allel. The MAX1452 allows for a high degree of flexibility in system calibration design. This is achieved by use of single-wire digital communication and three-state output nodes. Depending upon specific calibration requirements one may connect all the OUTs in parallel or connect DIO and OUT on each individual module.

Sensor Compensation Overview

Compensation requires an examination of the sensor performance over the operating pressure and temperature range. Use a minimum of two test pressures (e.g., zero and full-span) and two temperatures. More test pressures and temperatures will result in greater accuracy. A typical compensation procedure can be summarized as follows:

Set reference temperature (e.g., 25°C):

- Initialize each transducer by loading their respective registers with default coefficients (e.g., based on mean values of offset, FSO and bridge resistance) to prevent overload of the MAX1452.
- Set the initial bridge voltage (with the FSODAC) to half of the supply voltage. Measure the bridge voltage using the BDR or OUT pins, or calculate based on measurements.
- Calibrate the output offset and FSO of the transducer using the ODAC and FSODAC, respectively.
- Store calibration data in the test computer or MAX1452 EEPROM user memory.

Set next test temperature:

- Calibrate offset and FSO using the ODAC and FSO-DAC, respectively.
- Store calibration data in the test computer or MAX1452 EEPROM user memory.
- Calculate the correction coefficients.
- Download correction coefficients to EEPROM.
- Perform a final test.

Sensor Calibration and Compensation Example

The MAX1452 temperature compensation design corrects both sensor and IC temperature errors. This enables the MAX1452 to provide temperature compensation approaching the inherent repeatability of the sensor. An example of the MAX1452's capabilities is shown in Figure 8.

A repeatable piezoresistive sensor with an initial offset of 16.4mV and a span of 55.8mV was converted into a compensated transducer (utilizing the piezoresistive sensor with the MAX1452) with an offset of 0.5000V and a span of 4.0000V. Nonlinear sensor offset and FSO temperature errors, which were on the order of 20% to 30% FSO, were reduced to under $\pm 0.1\%$ FSO. The following graphs show the output of the uncompensated sensor and the output of the compensated transducer. Six temperature points were used to obtain this result.

MAX1452 Evaluation Kit

To expedite the development of MAX1452 based transducers and test systems, Maxim has produced the MAX1452 evaluation kit (EV kit). First-time users of the MAX1452 are strongly encouraged to use this kit.

Low-Cost Precision Sensor Signal Conditioner

MAX1452

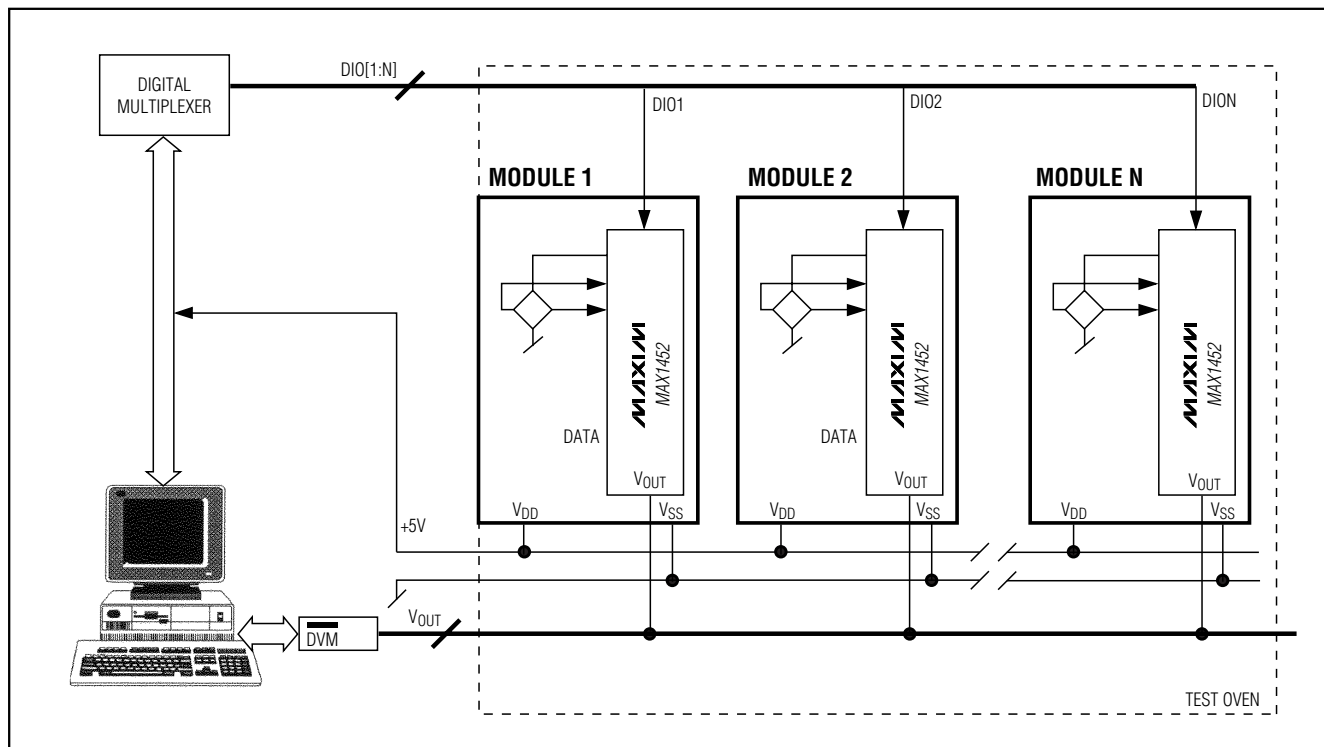


Figure 7. Automated Test System Concept

The EV kit is designed to facilitate manual programming of the MAX1452 with a sensor. It includes the following:

- 1) **Evaluation Board** with or without a silicon pressure sensor, ready for customer evaluation.
- 2) **Design/Applications Manual**, which describes in detail the architecture and functionality of the MAX1452. This manual was developed for test engineers familiar with data acquisition of sensor data and provides sensor compensation algorithms and test procedures.
- 3) **MAX1452 Communication Software**, which enables programming of the MAX1452 from a computer keyboard (IBM compatible), one module at a time.
- 4) **Interface Adapter**, which allows the connection of the evaluation board to a PC serial port.

Low-Cost Precision Sensor Signal Conditioner

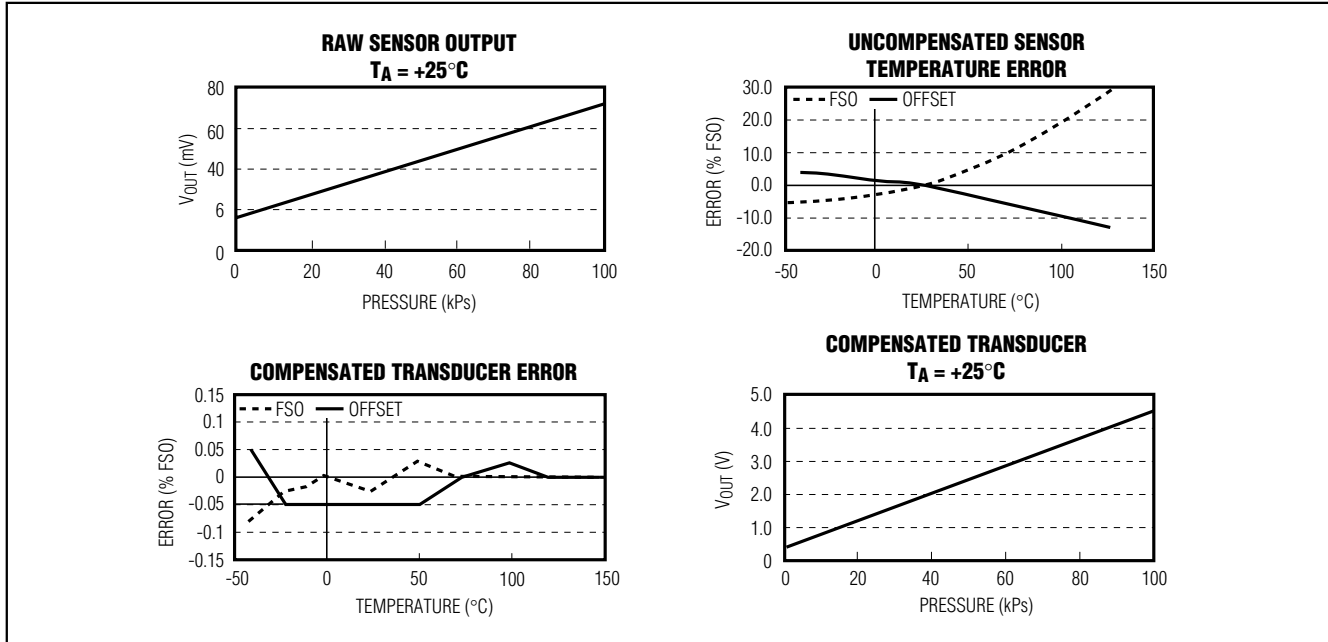


Figure 8. Comparison of an Uncalibrated Sensor and a Calibrated Transducer

Table 2. Registers

| REGISTER | DESCRIPTION |
|----------|---|
| CONFIG | Configuration Register |
| ODAC | Offset DAC Register |
| OTCDAC | Offset Temperature Coefficient DAC Register |
| FSODAC | Full Span Output DAC Register |
| FSOTCDAC | Full Span Output Temperature Coefficient DAC Register |

Low-Cost Precision Sensor Signal Conditioner

MAX1452

Table 3. Configuration Register (CONFIG[15:0])

| FIELD | NAME | DESCRIPTION |
|-------|------------------|---|
| 15:13 | OSC[2:0] | Oscillator frequency setting. Factory preset, do not change. |
| 12 | R _{EXT} | Logic '1' selects external R _{ISRC} and R _{STC} . |
| 11 | CLK1M EN | Logic '1' enables CLK1M output driver. |
| 10 | PGA Sign | Logic '1' inverts INM and INP polarity. |
| 9 | IRO Sign | Logic '1' for positive input referred offset (IRO). Logic '0' for negative input referred offset (IRO). |
| 8:6 | IRO[2:0] | Input referred coarse offset adjustment. |
| 5:2 | PGA[3:0] | Programmable gain amplifier setting. |
| 1 | ODAC Sign | Logic '1' for positive offset DAC output. Logic '0' for negative offset DAC output. |
| 0 | OTCDAC Sign | Logic '1' for positive offset TC DAC output. Logic '0' for negative offset TC DAC output. |

Table 4. Input Referred Offset (IRO[2:0])

| IRO SIGN, IRO[2:0] | INPUT REFERRED OFFSET CORRECTION AS % OF VDD | INPUT REFERRED OFFSET, CORRECTION AT VDD = 5VDC IN mV |
|--------------------|--|---|
| 1,111 | +1.25 | +63 |
| 1,110 | +1.08 | +54 |
| 1,101 | +0.90 | +45 |
| 1,100 | +0.72 | +36 |
| 1,011 | +0.54 | +27 |
| 1,010 | +0.36 | +18 |
| 1,001 | +0.18 | +9 |
| 1,000 | 0 | 0 |
| 0,000 | 0 | 0 |
| 0,001 | -0.18 | -9 |
| 0,010 | -0.36 | -18 |
| 0,011 | -0.54 | -27 |
| 0,100 | -0.72 | -36 |
| 0,101 | -0.90 | -45 |
| 0,110 | -1.08 | -54 |
| 0,111 | -1.25 | -63 |

Low-Cost Precision Sensor Signal Conditioner

Table 5. PGA Gain Setting (PGA[3:0])

| PGA[3:0] | PGA GAIN (V/V) |
|----------|----------------|
| 0000 | 39 |
| 0001 | 52 |
| 0010 | 65 |
| 0011 | 78 |
| 0100 | 91 |
| 0101 | 104 |
| 0110 | 117 |
| 0111 | 130 |
| 1000 | 143 |
| 1001 | 156 |
| 1010 | 169 |
| 1011 | 182 |
| 1100 | 195 |
| 1101 | 208 |
| 1110 | 221 |
| 1111 | 234 |

Table 6. Temp-Index Typical Values

| TEMPERATURE (°C) | TEMP-INDEX[7:0] | |
|---------------------|-----------------|-------------|
| | DECIMAL | HEXADECIMAL |
| -40 | 20 | 14 |
| 25 | 65 | 41 |
| 85 | 106 | 6A |
| 125 | 134 | 86 |

Table 7. EEPROM ODAC and FSODAC Lookup Table Memory Map

| TEMP-INDEX[7:0] | EEPROM ADDRESS ODAC LOW BYTE AND HIGH BYTE | EEPROM ADDRESS FSODAC LOW BYTE AND HIGH BYTE |
|----------------------|---|---|
| 00hex to 7Fhex | 000hex and 001hex to 0FEhex and 0FFhex | 200hex and 201hex to 2FEhex and 2FFhex |
| 80hex to AFhex | 100hex and 101hex to 15Ehex and 15Fhex | 1A0hex and 1A1hex to 1FEhex and 1FFhex |

Low-Cost Precision Sensor Signal Conditioner

MAX1452

Table 8. Control Location (CL[15:0])

| FIELD | NAME | DESCRIPTION |
|-------|----------|--|
| 15:8 | CL[15:8] | Reserved |
| 7:0 | CL[7:0] | Control Location. Secure-Lock is activated by setting this to FFhex which disables DIO serial communications and connects OUT to PGA output. |

Table 9. IRSA Decoding

| IRSA[3:0] | DESCRIPTION |
|--------------|--|
| 0000 | Write IRSD[3:0] to DHR[3:0] (data hold register) |
| 0001 | Write IRSD[3:0] to DHR[7:4] (data hold register) |
| 0010 | Write IRSD[3:0] to DHR[11:8] (data hold register) |
| 0011 | Write IRSD[3:0] to DHR[15:12] (data hold register) |
| 0100 | Reserved |
| 0101 | Reserved |
| 0110 | Write IRSD[3:0] to ICRA[3:0] or IEEA[3:0], (internal calibration register address or internal EEPROM address nibble 0) |
| 0111 | Write IRSD[3:0] to IEEA[7:4] (internal EEPROM address, nibble 1) |
| 1000 | Write IRSD[3:0] to IRSP[3:0] or IEEA[9:8], (interface register set pointer where IRSP[1:0] is IEEA[9:8]) |
| 1001 | Write IRSD[3:0] to CRIL[3:0] (command register to internal logic) |
| 1010 | Write IRSD[3:0] to ATIM[3:0] (analog timeout value on read) |
| 1011 | Write IRSD[3:0] to ALOC[3:0] (analog location) |
| 1100 to 1110 | Reserved |
| 1111 | Write IRSD[3:0] = 1111bin to relearn the baud rate |

Low-Cost Precision Sensor Signal Conditioner

Table 10. CRIL Command Codes

| CRIL[3:0] | NAME | DESCRIPTION |
|-----------------|-----------|---|
| 0000 | LdICR | Load internal calibration register at address given in ICRA with data from DHR[15:0]. |
| 0001 | EEPW | EEPROM write of 8 data bits from DHR[7:0] to address location pointed by IEEA [9:0]. |
| 0010 | ERASE | Erase all of EEPROM (all bytes equal FFhex). |
| 0011 | RdICR | Read internal calibration register as pointed to by ICRA and load data into DHR[15:0]. |
| 0100 | RdEEP | Read internal EEPROM location and load data into DHR[7:0] pointed by IEEA [9:0]. |
| 0101 | RdIRS | Read interface register set pointer IRSP[3:0]. See Table 12. |
| 0110 | RdAlg | Output the multiplexed analog signal onto OUT. The analog location is specified in ALOC[3:0] (Table 14) and the duration (in byte times) that the signal is asserted onto the pin is specified in ATIM[3:0] (Table 13). |
| 0111 | PageErase | Erases the page of the EEPROM as pointed by IEEA[9:6]. There are 64 bytes per page and thus 12 pages in the EEPROM. |
| 1000 to 1111 | Reserved | Reserved. |

Table 11. IRCA Decode

| ICRA[3:0] | NAME | DESCRIPTION |
|-----------------|----------|--|
| 0000 | CONFIG | Configuration Register |
| 0001 | ODAC | Offset DAC Register |
| 0010 | OTCDAC | Offset Temperature Coefficient DAC Register |
| 0011 | FSODAC | Full Scale Output DAC Register |
| 0100 | FSOTCDAC | Full Scale Output Temperature Coefficient DAC Register |
| 0101 | | Reserved. Do not write to this location (EEPROM test). |
| 0110 to 1111 | | Reserved. Do not write to this location. |

Low-Cost Precision Sensor Signal Conditioner

MAX1452

Table 12. IRSP Decode

| IRSP[3:0] | RETURNED VALUE |
|-----------|---|
| 0000 | DHR[7:0] |
| 0001 | DHR[15:8] |
| 0010 | IEEA[7:4], ICRA[3:0] concatenated |
| 0011 | CRIL[3:0], IRSP[3:0] concatenated |
| 0100 | ALOC[3:0], ATIM[3:0] concatenated |
| 0101 | IEEA[7:0] EEPROM address byte |
| 0110 | IEED[7:0] EEPROM data byte |
| 0111 | TEMP-Index[7:0] |
| 1000 | BitClock[7:0] |
| 1001 | Reserved. Internal flash test data. |
| 1010-1111 | 11001010 (CAhex). This can be used to test communication. |

Table 13. ATIM Definition

| ATIM[3:0] | DURATION OF ANALOG SIGNAL SPECIFIED IN BYTE TIMES (8-BIT TIME) |
|-----------|---|
| 0000 | $2^0 + 1 = 2$ byte times i.e. $(2 \times 8) / \text{baud rate}$ |
| 0001 | $2^1 + 1 = 3$ byte times |
| 0010 | $2^2 + 1 = 5$ byte times |
| 0011 | $2^3 + 1 = 9$ byte times |
| 0100 | $2^4 + 1 = 17$ byte times |
| 0101 | $2^5 + 1 = 33$ byte times |
| 0110 | $2^6 + 1 = 65$ byte times |
| 0111 | $2^7 + 1 = 129$ byte times |
| 1000 | $2^8 + 1 = 257$ byte times |
| 1001 | $2^9 + 1 = 513$ byte times |
| 1010 | $2^{10} + 1 = 1025$ byte times |
| 1011 | $2^{11} + 1 = 2049$ byte times |
| 1100 | $2^{12} + 1 = 4097$ byte times |
| 1101 | $2^{13} + 1 = 8193$ byte times |
| 1110 | $2^{14} + 1 = 16,385$ byte times |
| 1111 | In this mode OUT is continuous, however DIO will accept commands after 32,769 byte times. Do not parallel connect DIO to OUT. |

Low-Cost Precision Sensor Signal Conditioner

Table 14. ALOC Definition

| ALOC[3:0] | ANALOG SIGNAL | DESCRIPTION |
|-----------|---------------|--|
| 0000 | OUT | PGA Output |
| 0001 | BDR | Bridge Drive |
| 0010 | ISRC | Bridge Drive Current Setting |
| 0011 | VDD | Internal Positive Supply |
| 0100 | VSS | Internal Ground |
| 0101 | BIAS5U | Internal Test Node |
| 0110 | AGND | Internal Analog Ground. Approximately half of VDD. |
| 0111 | FSODAC | Full Scale Output DAC |
| 1000 | FSOTCDAC | Full Scale Output TC DAC |
| 1001 | ODAC | Offset DAC |
| 1010 | OTCDAC | Offset TC DAC |
| 1011 | VREF | Bandgap Reference Voltage (nominally 1.25V) |
| 1100 | VPTATP | Internal Test Node |
| 1101 | VPTATM | Internal Test Node |
| 1110 | INP | Sensor's Positive Input |
| 1111 | INM | Sensor's Negative Input |

Table 15. Effects of Compensation

| TYPICAL UNCOMPENSATED INPUT (SENSOR) | TYPICAL COMPENSATED TRANSDUCER OUTPUT |
|---------------------------------------|---|
| Offset..... $\pm 100\%$ FSO | OUT.....Ratiometric to VDD at 5.0V |
| FSO.....1 to 40mV/V | Offset at +25°C..... $0.500V \pm 200\mu V$ |
| Offset TC.....20% FSO | FSO at +25°C..... $4.000V \pm 200\mu V$ |
| Offset TC Nonlinearity.....4% FSO | Offset accuracy over temp. range..... $\pm 4mV (\pm 0.1\% \text{ FSO})$ |
| FSOTC.....-20% FSO | FSO accuracy over temp. range..... $\pm 4mV (\pm 0.1\% \text{ FSO})$ |
| FSOTC Nonlinearity.....5% FSO | |
| Temperature Range.....-40°C to +125°C | |

Chip Information

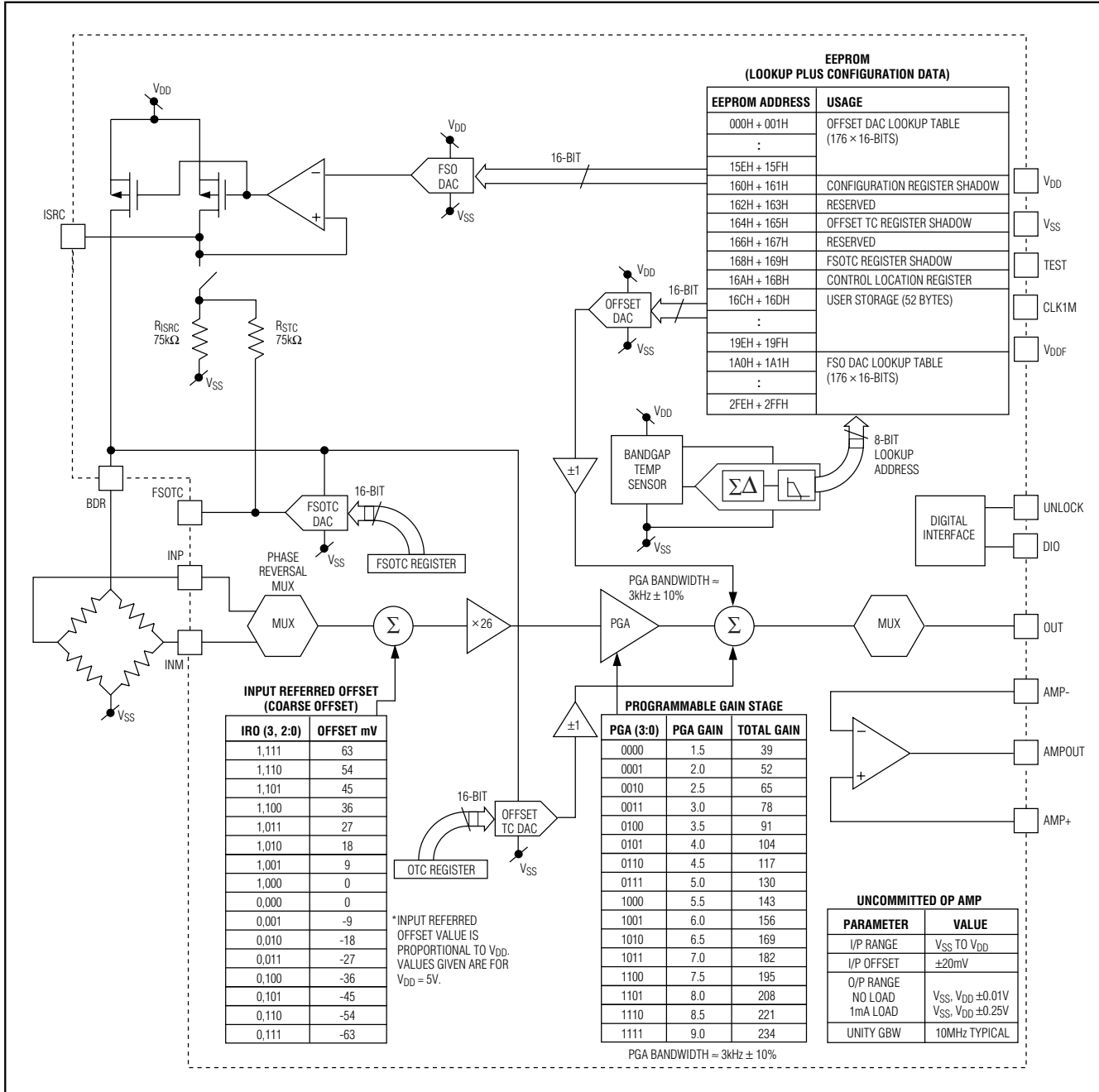
TRANSISTOR COUNT: 67,382

SUBSTRATE CONNECTED TO: V_{SS}

Low-Cost Precision Sensor Signal Conditioner

Detailed Block Diagram

MAX1452



Low-Cost Precision Sensor Signal Conditioner

Package Information

| DIM | INCHES | | MILLIMETERS | |
|----------|----------------|-------|-------------|------|
| | MIN | MAX | MIN | MAX |
| A | 0.068 | 0.078 | 1.73 | 1.99 |
| A1 | 0.002 | 0.008 | 0.05 | 0.21 |
| B | 0.010 | 0.015 | 0.25 | 0.38 |
| C | 0.004 | 0.008 | 0.09 | 0.20 |
| D | SEE VARIATIONS | | | |
| E | 0.205 | 0.209 | 5.20 | 5.38 |
| e | 0.0256 | BSC | 0.65 | BSC |
| H | 0.301 | 0.311 | 7.65 | 7.90 |
| L | 0.025 | 0.037 | 0.63 | 0.95 |
| α | 0° | 8° | 0° | 8° |

| D | INCHES | | MILLIMETERS | | N |
|---|--------|-------|-------------|-------|-----|
| | MIN | MAX | MIN | MAX | |
| D | 0.239 | 0.249 | 6.07 | 6.33 | 14L |
| D | 0.239 | 0.249 | 6.07 | 6.33 | 16L |
| D | 0.278 | 0.289 | 7.07 | 7.33 | 20L |
| D | 0.317 | 0.328 | 8.07 | 8.33 | 24L |
| D | 0.397 | 0.407 | 10.07 | 10.33 | 28L |

NOTES:
 1. D&E DO NOT INCLUDE MOLD FLASH.
 2. MOLD FLASH OR PROTRUSIONS NOT TO EXCEED .15mm (.006").
 3. CONTROLLING DIMENSION: MILLIMETERS.
 4. MEETS JEDEC MO150.

SSOP-EPS

| | | | |
|---|--|-------------------------|--|
| MAXIM | | | |
| <small>PROPRIETARY INFORMATION</small> | | | |
| <small>TITLE:</small> PACKAGE OUTLINE, SSOP, 5.3x.65mm | | | |
| <small>APPROVAL</small> | <small>DOCUMENT CONTROL NO.</small> 21-0056 | <small>REV</small> B | <small>1</small> / <small>1</small> |

Maxim cannot assume responsibility for use of any circuitry other than circuitry entirely embodied in a Maxim product. No circuit patent licenses are implied. Maxim reserves the right to change the circuitry and specifications without notice at any time.

24 _____ **Maxim Integrated Products, 120 San Gabriel Drive, Sunnyvale, CA 94086 408-737-7600**